

## Be-Ge 93-series

The seats illustrated is fitted with extra items



The seat can be equipped with headrest, adjustable.



The seat can be equipped with integrated 3-point safety belt.



The seat can be equipped with extra high and stable side support, XSS.

**BE-GE 93-series** is a mechanical suspended seat, with small mounting dimensions and double shock absorbers. This model of seat is very comfortable and has become very popular in forklifts and other vehicles that require low seat height e.g, cranes, smaller buses, smaller goods trucks etc.

This model of seats can be equipped with armrest, headrest, Be-Ge's renowned "Airvent", electrical heating and different kinds of base depending on the needs in working environment.

BE-GE, the name means a great deal: not at least comfort and quality, both physical and technical.

**BE - GE**

— Establ. 1934 —

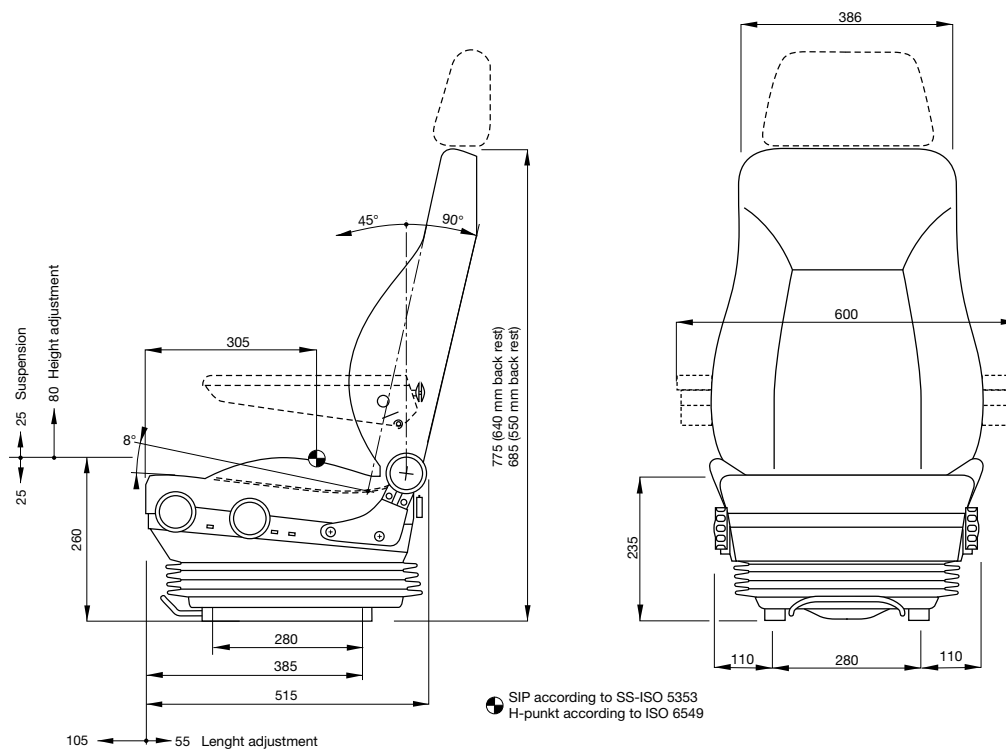
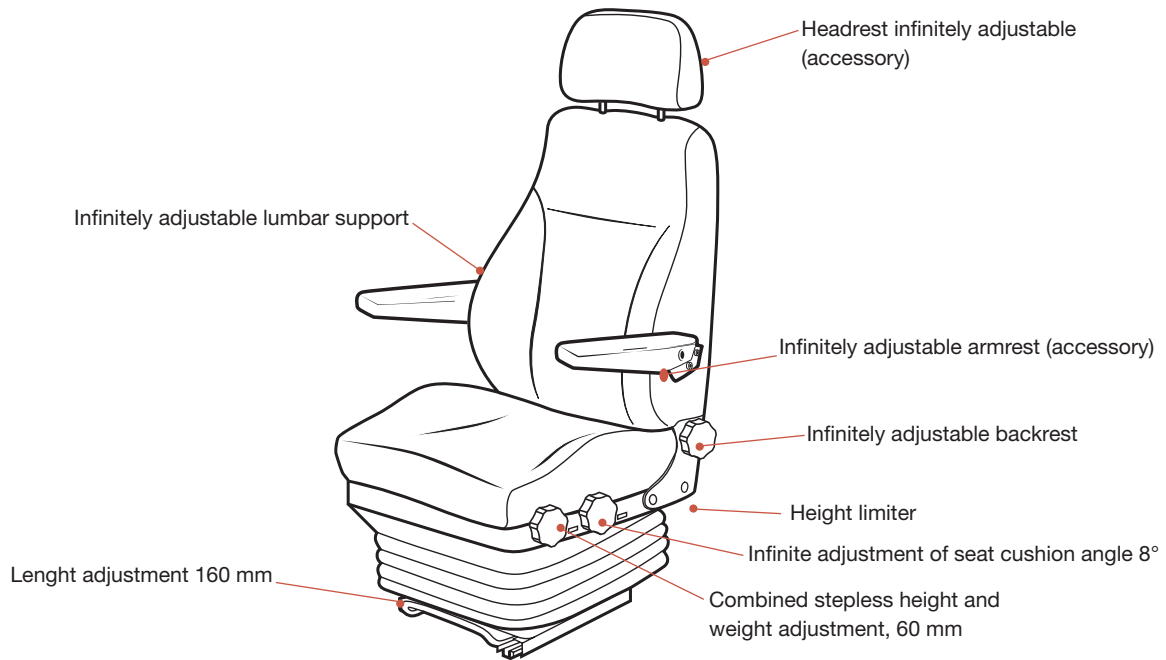
As standard the seat is equipped with weight- and height adjustment, lumbar support, protective bellow and slide rails.

A choice between different back heights can be made in order to have a good working position in all kinds of working environments. The different seatback heights are the following: 640mm, medium height 550mm and low height 400mm. All models can be equipped with lap belt. The backrest version

640mm can be equipped with 3-point belt and/or an extra high and stable seat-and backrest foam, XSS.

## ACCESSORIES:

The seat can be fitted with electrical heating in seating and backrest, Airvent, headrest, armrests, alarm contact and various types of bases.



## Be-Ge Industri AB

Box 912 SE-572 29 Oskarshamn, Sweden. Telephone +46 (0)491-761800.  
 info@be-ge.se www.be-ge.com Telefax +46 (0)491-81900.

## Be-Ge Seating UK Ltd

Venture Center, Sir William Lyons Road UK-Coventry CV4 7EZ  
 Phone: +44 844800 0558 Fax: +44 844800 0559 www.bege.co.uk