

Be-Ge 92-series

The seats illustrated is fitted with extra items



The seat can be equipped with different types of headrests



The seat can be equipped with adjustable armrests



The seat can be equipped with integrated 2-, 3- or 4-point safety belt

BE-GE 92-series is our most popular mechanically suspended seat most used in vehicles without air compressor's. The seat covers a wide range of applications in all surroundings at either sea or land. Easily accessible, easy-to-use adjustments for individual working comfort.

The seats can be equipped with armrests, headrests, Be-Ge's renowned "Airvent", electrical heating and different kind of bases depending on the needs in the working environment.

BE-GE, the name means a great deal: not least comfort and quality, both physical and technical

BE - GE

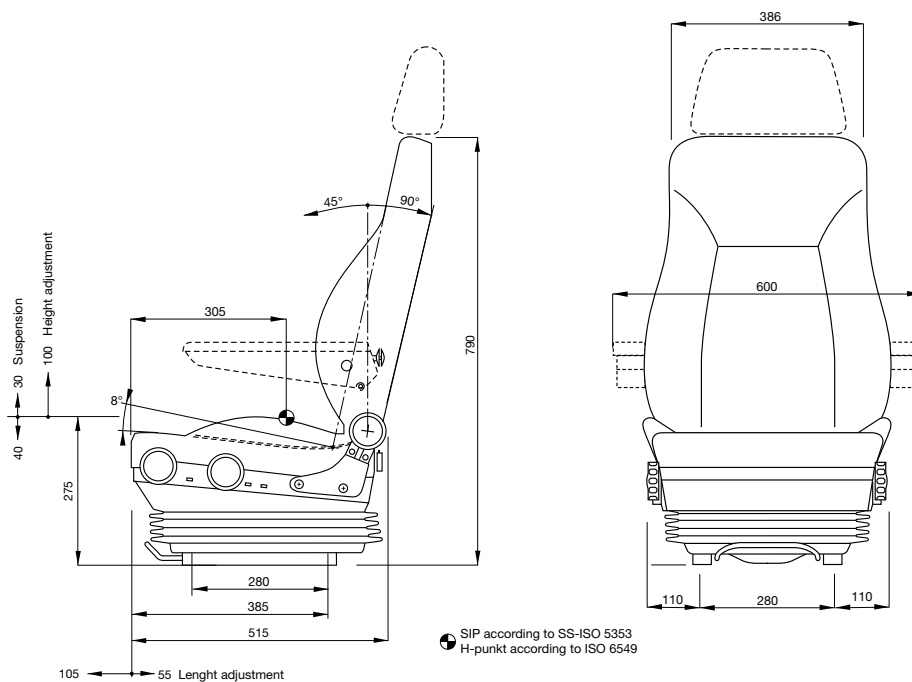
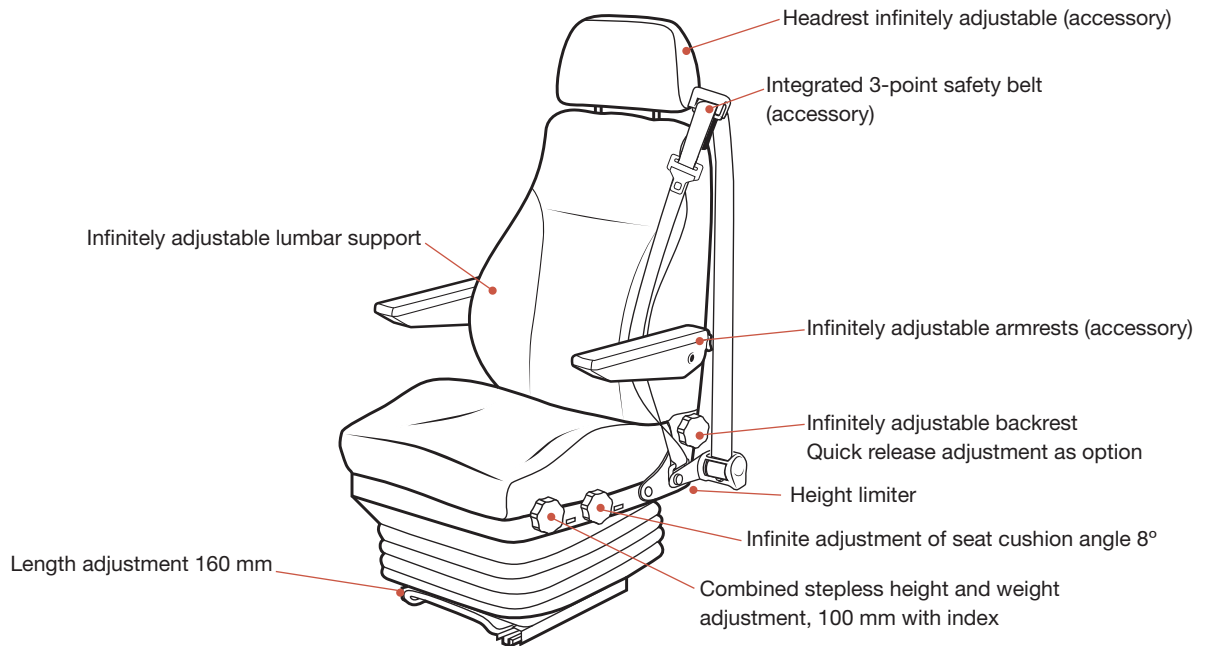
— Establ. 1934 —

As standard the seat is equipped with weight- and height adjustment, lumbar support, protective bellow and side rails.

A choice between different back heights can be made in order to have a good working position in all kinds of working environments. The different seatback heights are the following: 640mm, medium height 550mm and low height 400mm. All models can be equipped with lap belt. The backrest version 640mm can be equipped with 3- or 4-point safety belt and/or an extra high and stable seat-and backrest foam, XSS.

ACCESSORIES:

The seat can be fitted with double shock absorbers, longitudinal damper, electrical heating in seat cushion and backrest, 2-, 3- or 4-point belt, Airvent, headrest, armrests, alarm contact, quick release backrest adjustment and various types of bases.



Be-Ge Industri AB

Box 912 SE-572 29 Oskarshamn, Sweden. Telephone +46 (0)491-761800.
info@be-ge.se www.be-ge.com Telefax +46 (0)491-81900.

Be-Ge Seating UK Ltd

Venture Center, Sir William Lyons Road UK-Coventry CV4 7EZ
Phone: +44 844800 0558 Fax: +44 844800 0559 www.bege.co.uk