

Be-Ge 34 Static

The seats illustrated is fitted with extra items.



Among the options a 3 point belt is available, with fixed or adjustable D-loop.



The seat can easily be adjusted up to 120mm in height with the user friendly controls

Be-Ge 34 Static series is a Soft static seat, this means the seat is nearly static with a comfortable damping function.

The seat's innovative design makes it possible to adjust the height as much as 120mm. The seat also comes with an adjustable seat cushion and a mechanical lumbar support as standard.

There is also a wide range of options available which allows the seat to be specified to individual requirements. Also the user friendly control panel can be placed on the either side of the seat or on the front.

Parallel with the seats innovative functions you will find a modern and practical design with flexible seat comfort and the best ergonomics.

The 34-series is suitable for buses, trucks, railway and other applications where a static seat is required.



Integrated headrest is standard, but as an option a separate headrest can be chosen.

BE-GE

— Establ. 1934 —

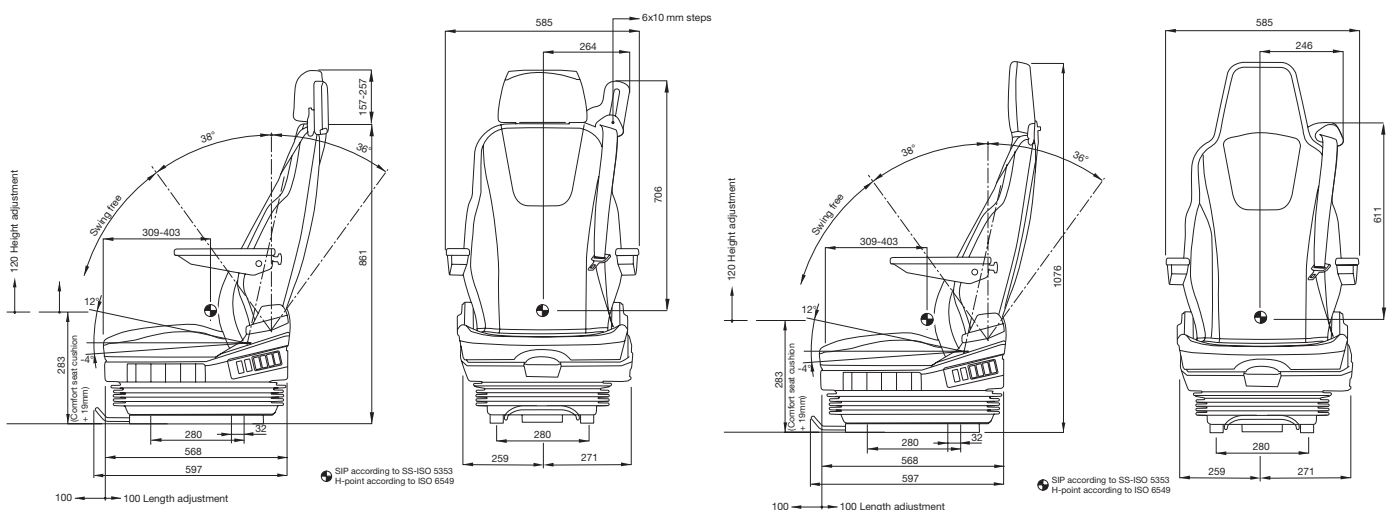
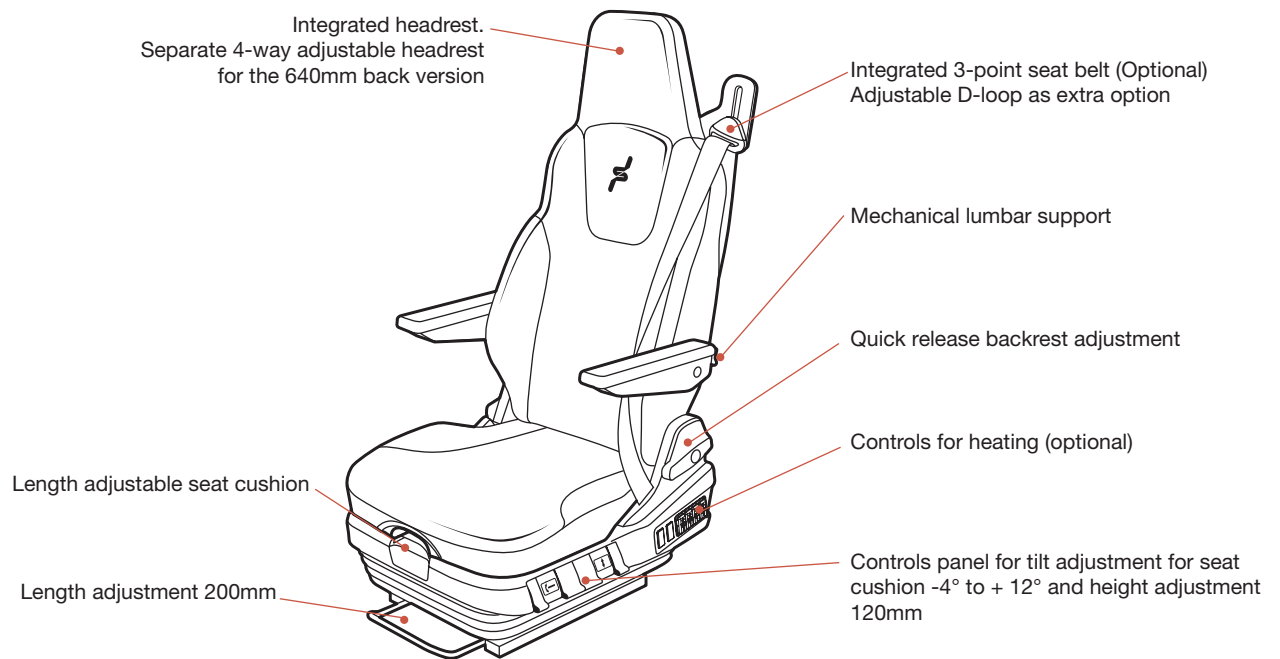
Be-Ge 34 Static

Be-Ge 34-series standard features are 120mm height adjustment, 200mm length adjustment, Quick release backrest adjustment, mechanical lumbar support, adjustable seat cushion and integrated headrest.

The seat can also be delivered with 640mm backrest and separate headrest.

OPTIONS:

The seats can be equipped with armrests, electrical heating, comfort seats cushion (extra thick), 2- or 3-point seatbelt with height adjustment as extra option, 4-way headrest (640mm backrest version), vibration indicator, leather trim.



Be-Ge Industri AB

Box 912 SE-572 29 Oskarshamn, Sweden.
info@be-ge.se www.be-ge.com

Telephone +46 (0)491-761800.
Telefax +46 (0)491-81900.

Be-Ge Seating UK Ltd

Venture Center, Sir William Lyons Road UK-Coventry CV4 7EZ
Phone: +44 844800 0558 Fax: +44 844800 0559 www.bege.co.uk