

Be-Ge 30 Luxury/31 Medium

The seats illustrated is fitted with extra items.



The seats can be equipped with extra shoulder support and adjustable 3 point belt.



The seats controls are placed in a user friendly control panel.

BE-GE 30 Luxury/31 Medium Series are air suspended seats that offer the highest comfort levels available. Among the new innovations on offer are the air operated shoulder support and the DPS function. The DPS function allows the driver to easily change between static and air suspended mode with a touch of a button in order to adapt to the roads conditions.

Parallel with the seats innovative functions you will find a modern and practical design with flexible seat comfort and the best ergonomics.

The 30/31-series is suitable for buses, trucks and railway and with its wide range of options it can be modified to be used in lots of applications, such as construction-, forestry- and industrial vehicles.

The user friendly control panel can be placed on the seats either side or on the front.



Integrated headrest is standard, but as option a separate headrest can be chosen.

BE-GE

— Establ. 1934 —

Be-Ge 30 Luxury/31 Medium

Be-Ge 30-series standard features are weight independent height adjustment, quick air release, air operated tilt of seat cushion and release of slide rails, DPS function, air operated lumbar and side support and integrated headrest.

The seat can also be specified with 640mm backrest and separate headrest and a manual air controlled height adjustment system.

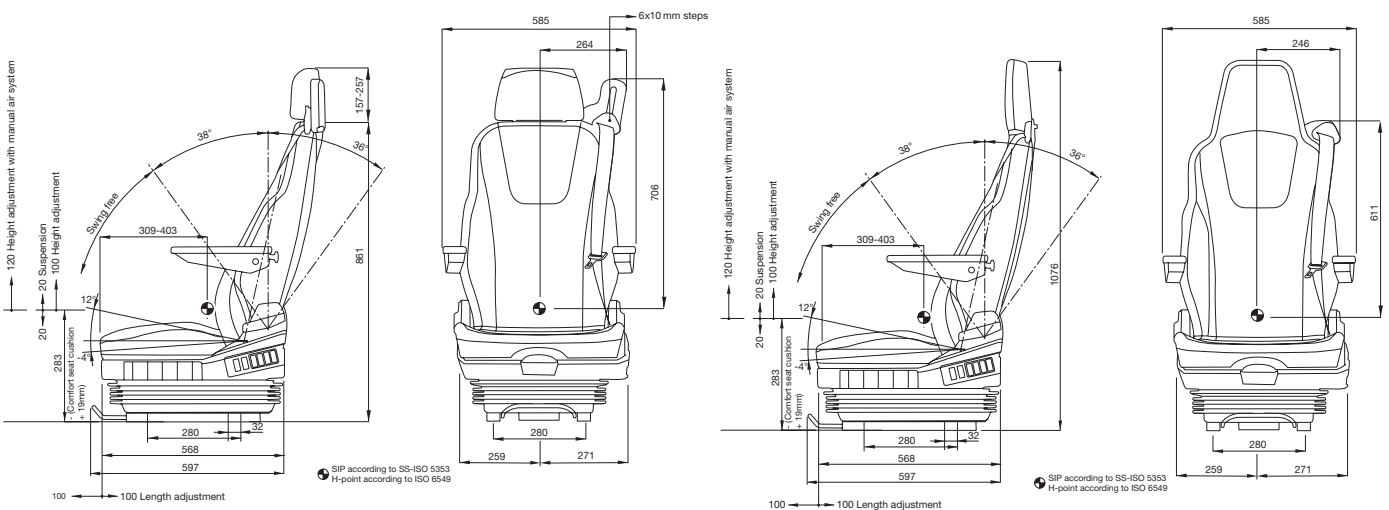
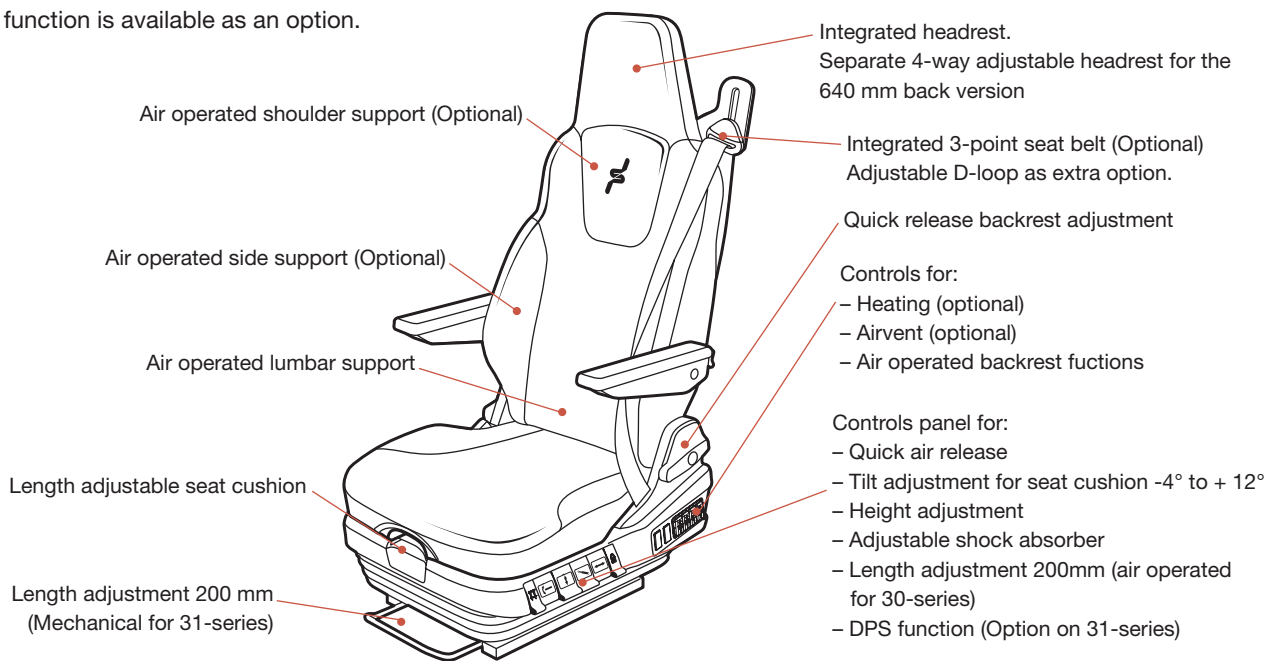
Be-Ge 31-series is equipped as standard with weight independent height adjustment, quick air release, mechanical tilt of seat cushion and release of slide rails, air operated lumbar support and integrated headrest. The seat can also be specified with 640mm backrest and separate headrest and a manual air controlled height adjustment system.

The DPS function is available as an option.

OPTIONS:

The seats can be equipped with armrests, extra shoulder support, electrical heating, comfort seats cushion (extra thick), 3-point seatbelt with height adjustment as extra option, 2- or 4-point seatbelt, 4-way headrest (640 mm backrest version), Airvent (ventilated seat cushions), vibration indicator, built in compressor, leather trim.

For the 31-series the DPS function and air operated side support can be specified, this is standard for the 30-series.



Be-Ge Industri AB

Box 912 SE-572 29 Oskarshamn, Sweden.
info@be-ge.se www.be-ge.com

Telephone +46 (0)491-761800.
Telefax +46 (0)491-81900.

Be-Ge Seating UK Ltd

Venture Center, Sir William Lyons Road UK-Coventry CV4 7EZ
Phone: +44 844800 0558 Fax: +44 844800 0559 www.bege.co.uk